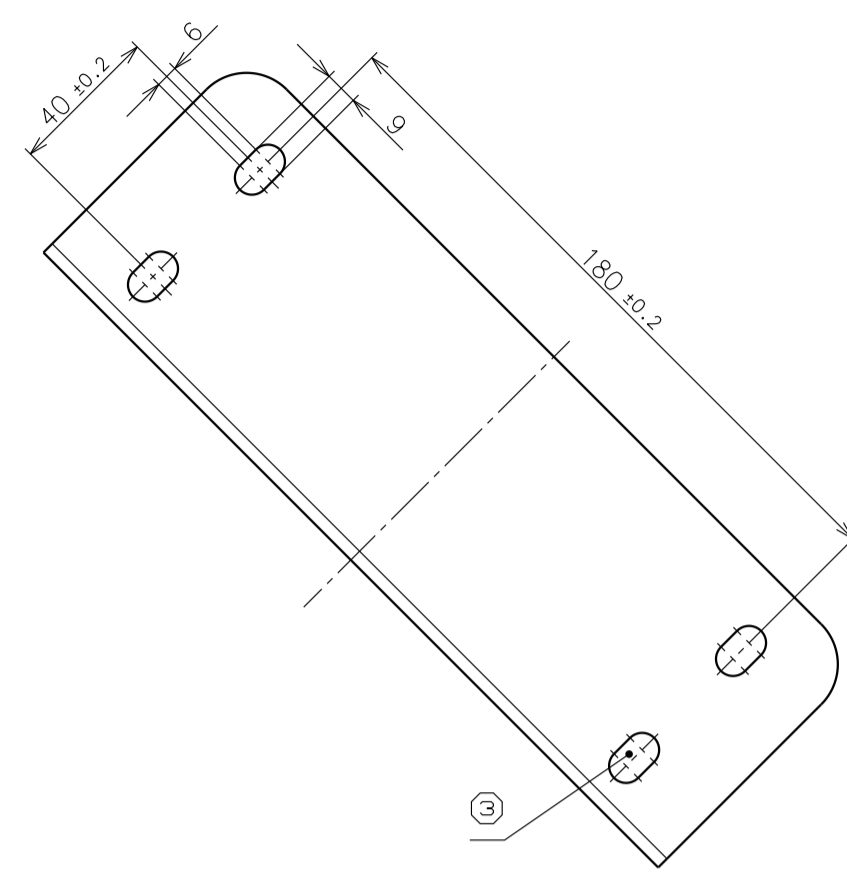
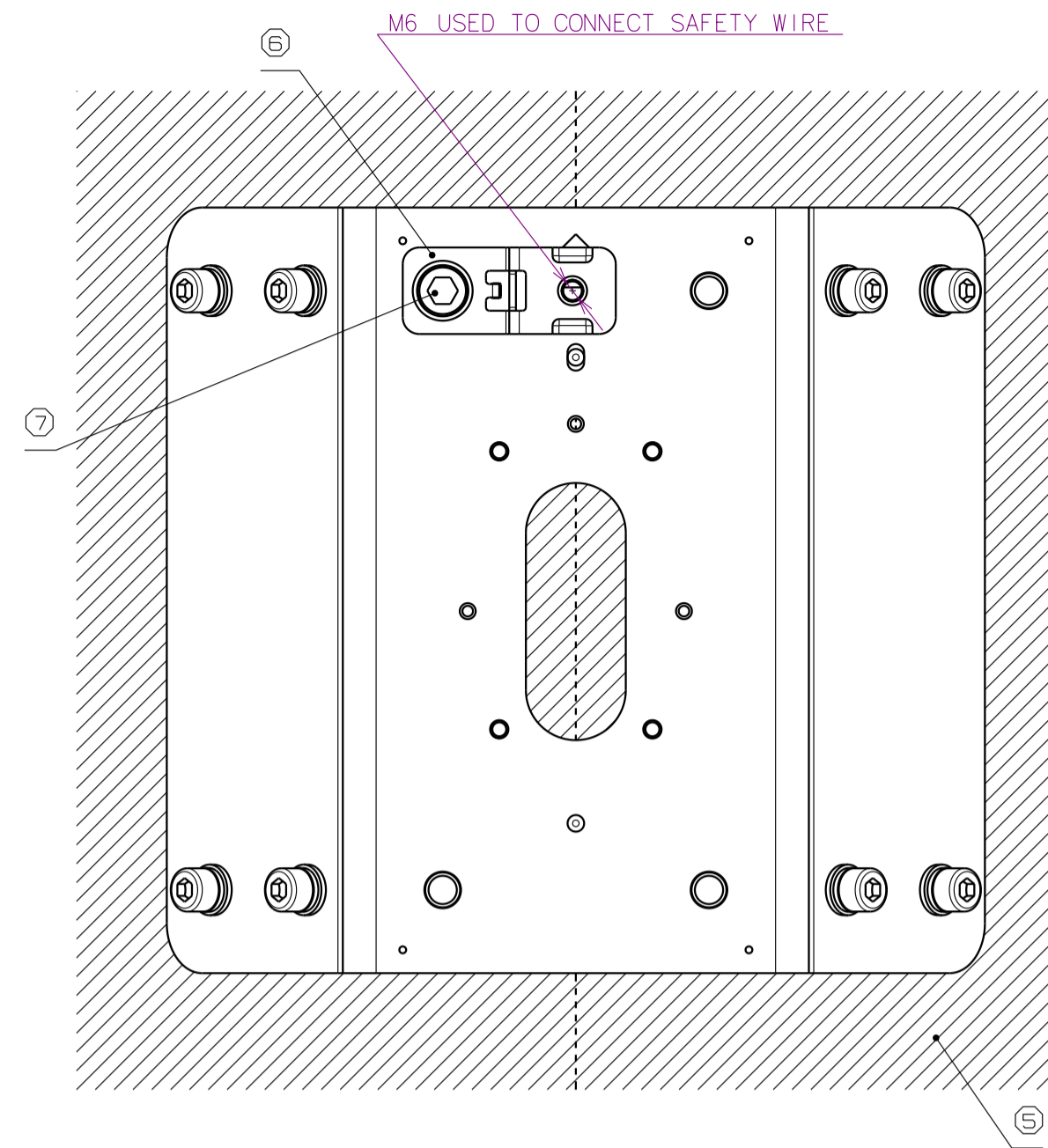


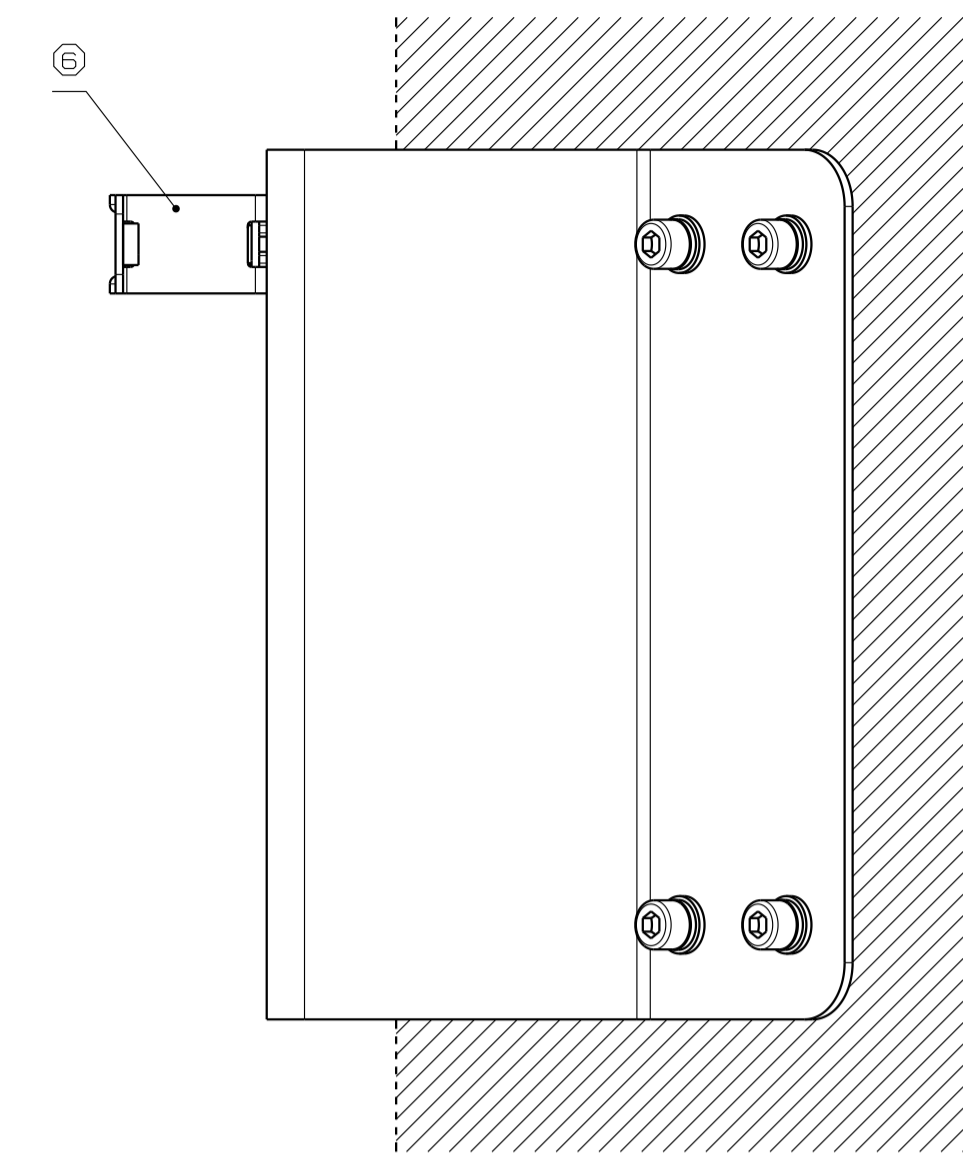
SCALE (1:2)



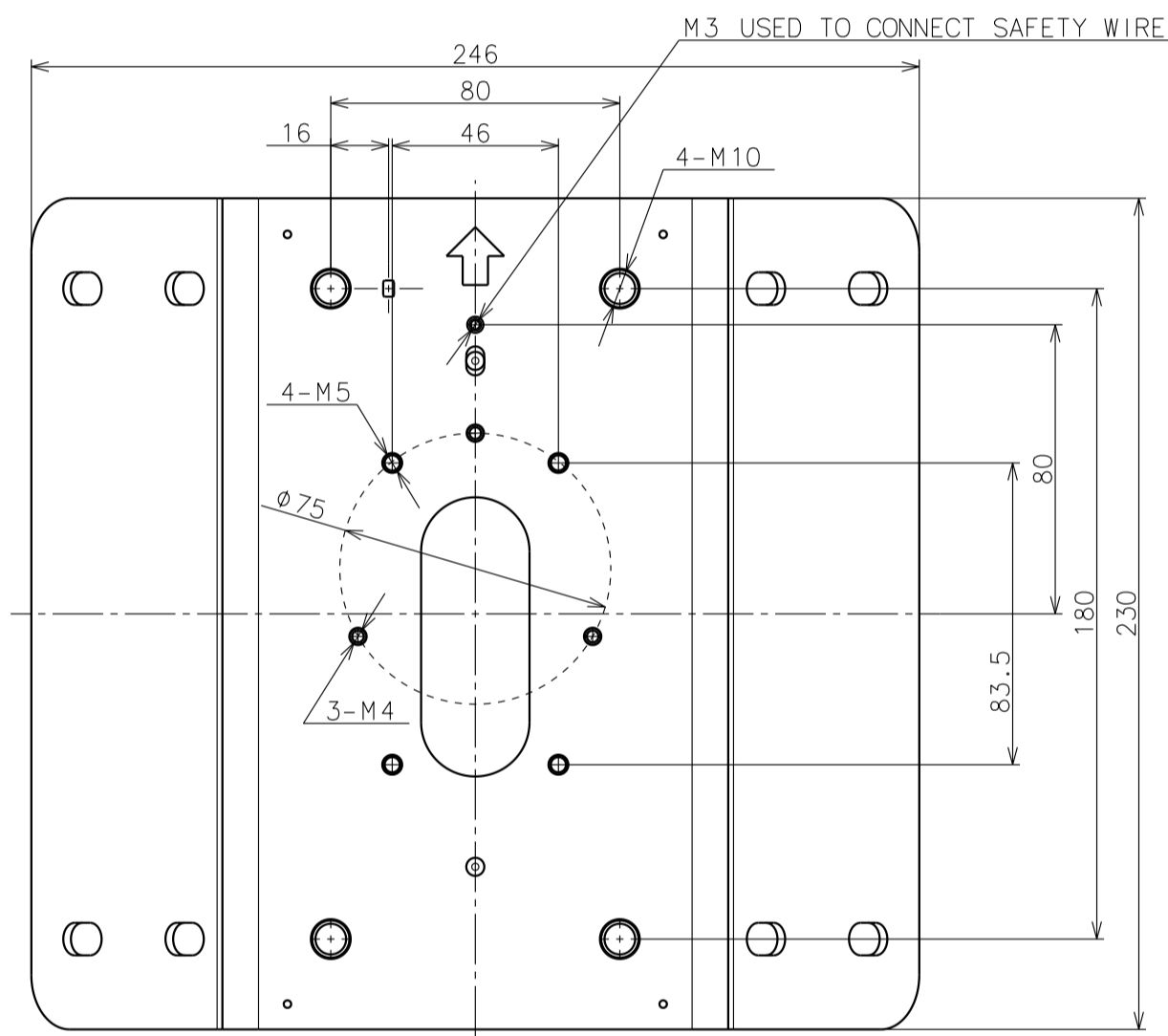
Cutaway view A-A (1:2)
Bilateral symmetry



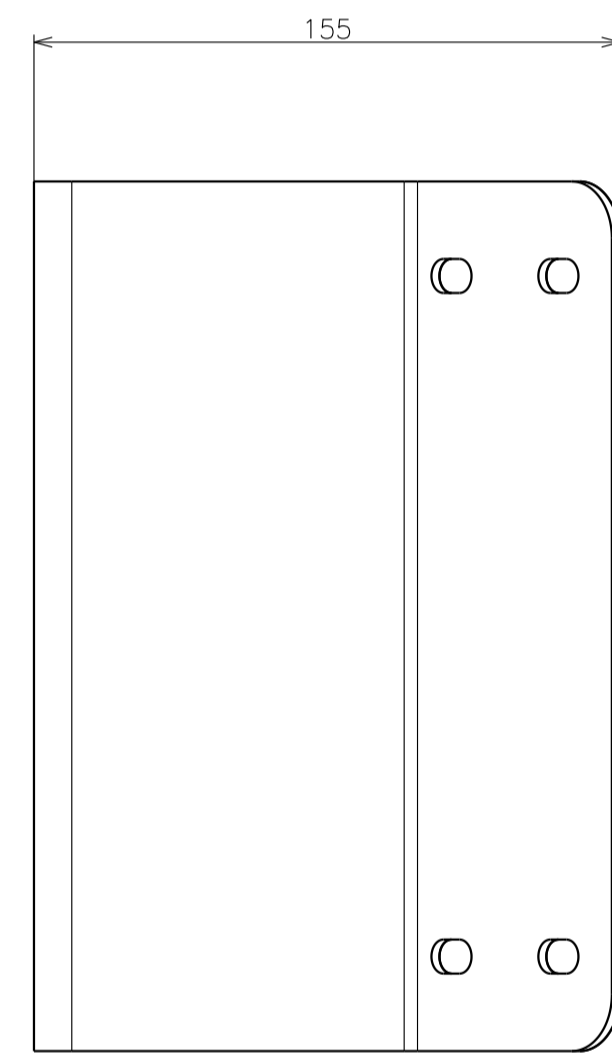
INSTALLATION STATUS (1:2)



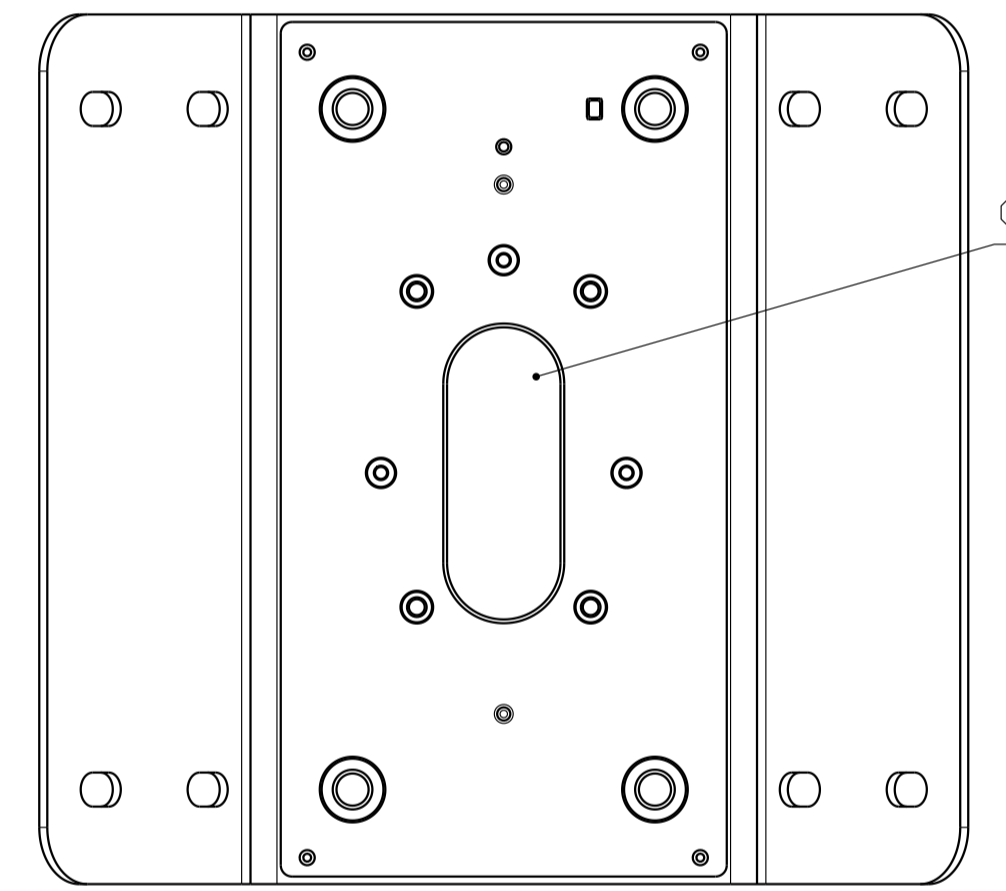
INSTALLATION STATUS (1:2)



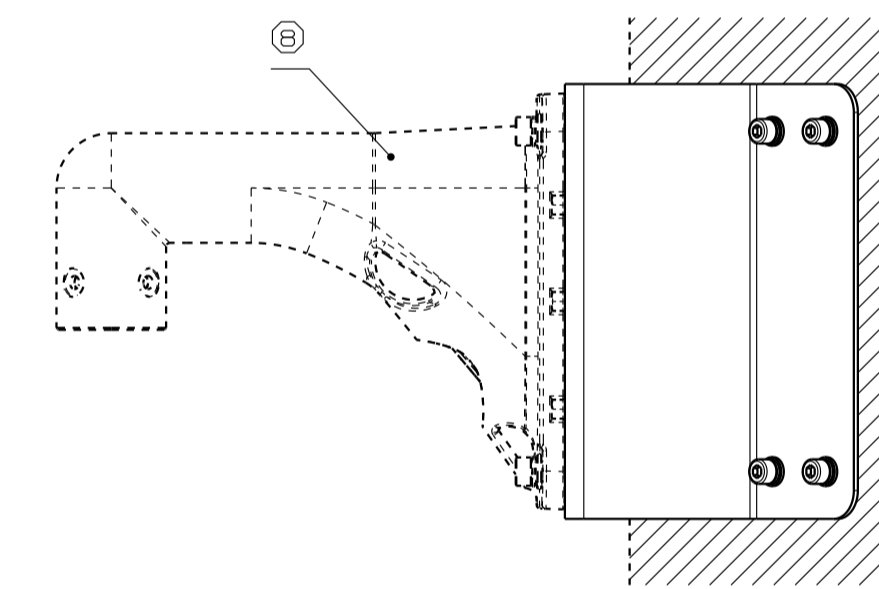
SCALE (1:2)



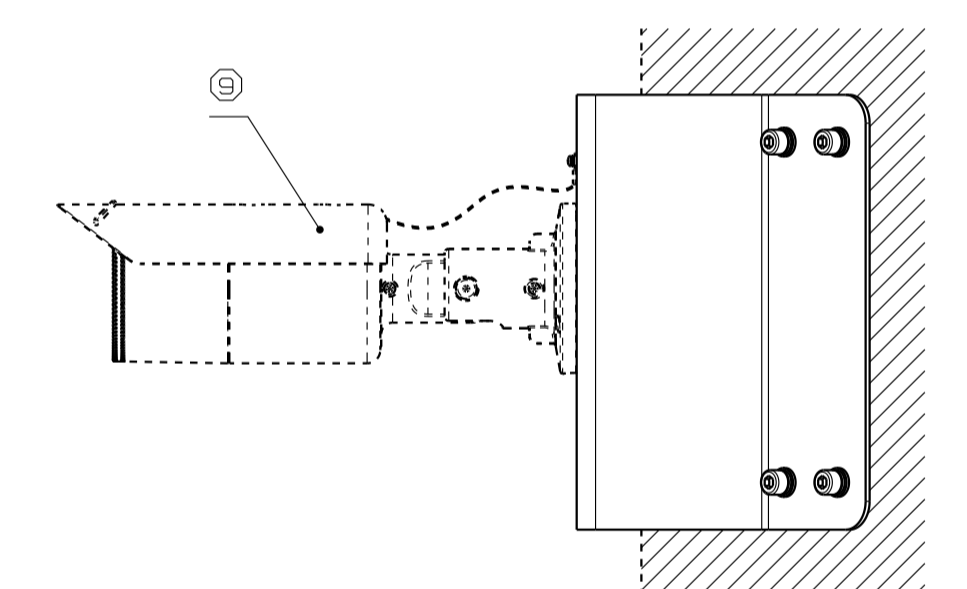
SCALE (1:2)



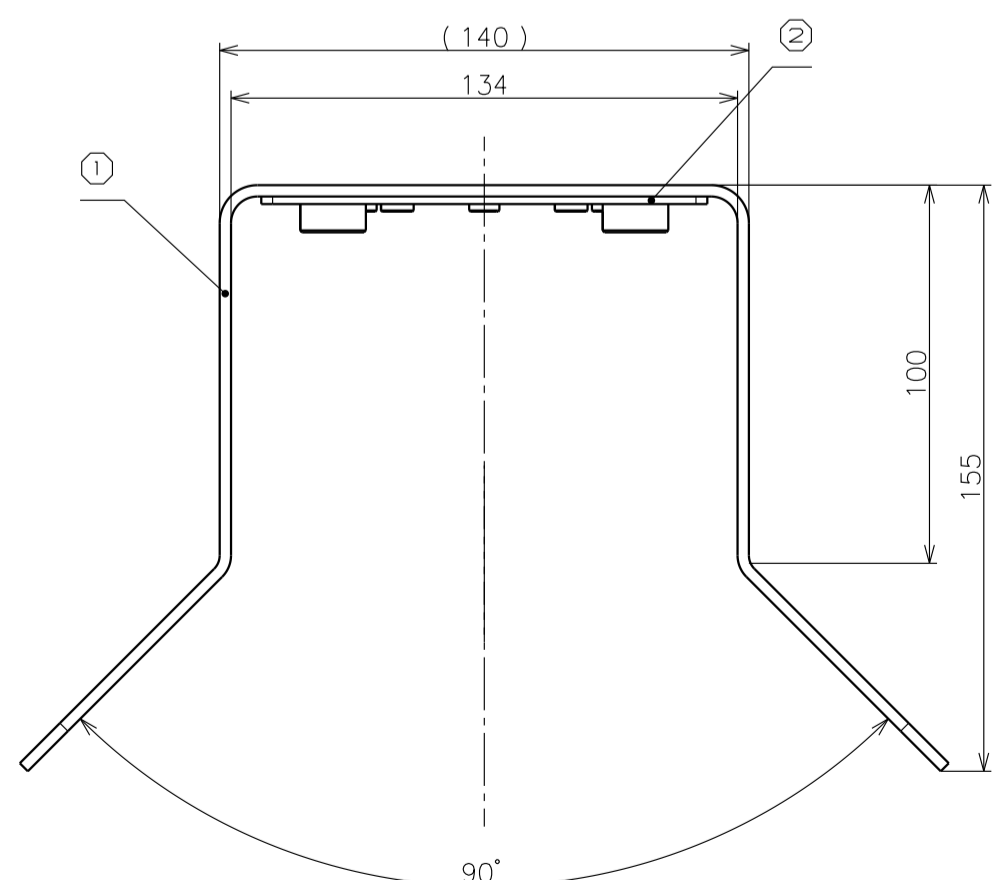
SCALE (1:2)



USE 4-M10 SCREW HOLES
SCALE (1:4)

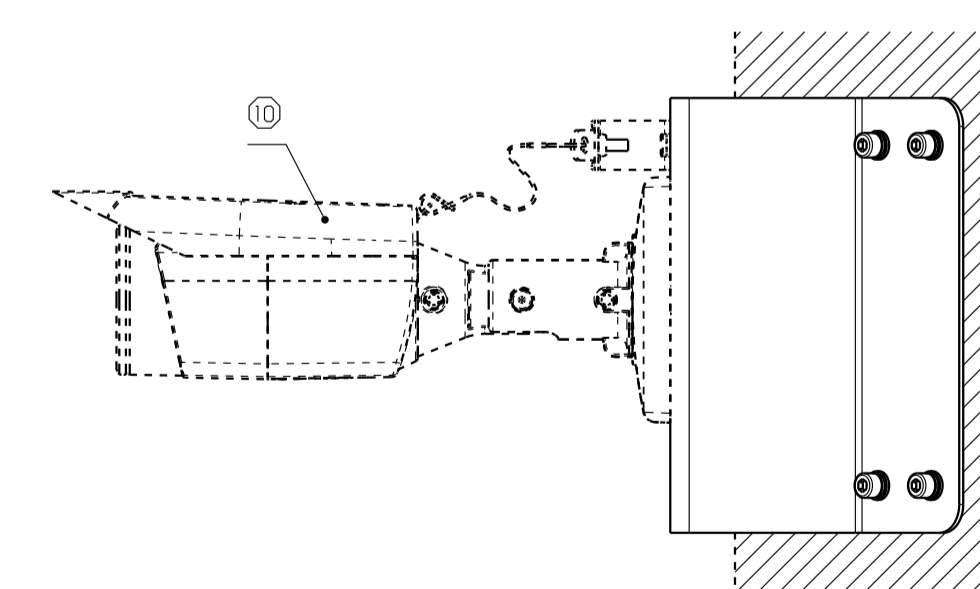


USE 3-M4 SCREW HOLES
SCALE (1:4)

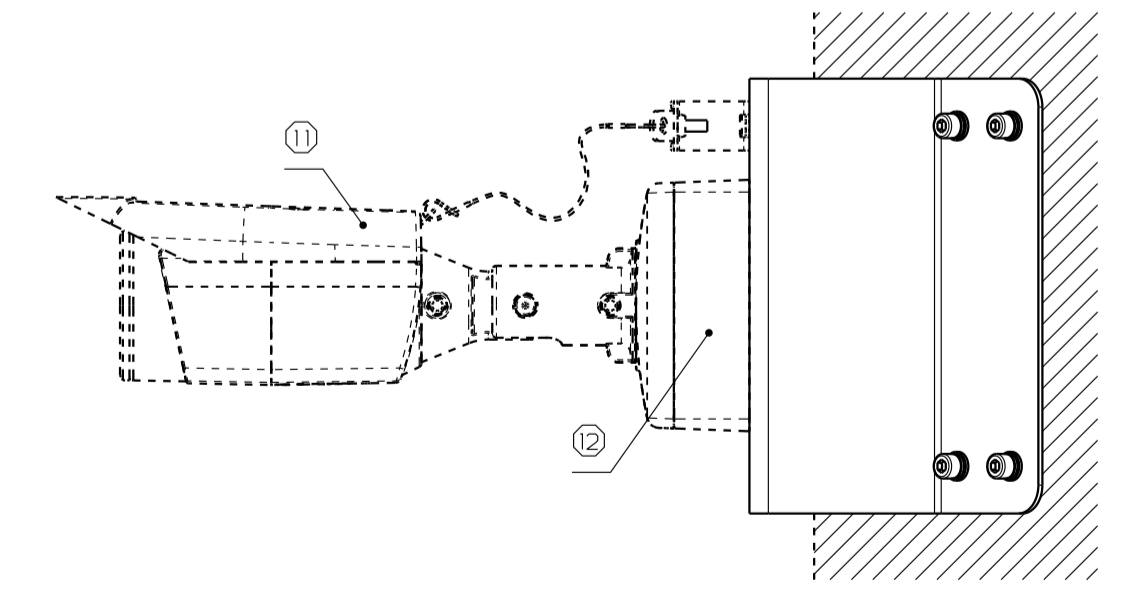


SCALE (1:2)

NO.	Part Name	Material	Process*Remark
1	Corner Mount Bracket(AL)	AL t=3mm	Painting:WV-Q183 Light grey WV-Q189 Fine silver
2	Corner Mount Bracket(SUS)	SUS304 t=2mm	Already installed in Corner Mount Bracket(AL)
3	Mounting Holes(8 places)	-	-
4	Cable Access Hole	-	-
5	Corner(Structure)	-	Vertical angle of the outer corner
6	Safety Wire Fixing Bracket	SUS304	Accessory(Only for WV-Q189)
7	Hexagon socket head cap screw M10	SUS304	Accessory(Only for WV-Q189)
8	Mount Bracket	-	Other Product:(WV-Q183 connection WV-Q185 WV-Q189 connection WV-Q122A)
9	Camera WV-CW314L	-	Other Product(Only for WV-Q189)
10	Camera WV-S1531LN	-	Other Product(Only for WV-Q189)
11	Camera WV-S1531LN	-	Other Product(Only for WV-Q189)
12	Adapter Box or WV-Q120A	-	Other Product(Only for WV-Q189)



USE 4-M5 SCREW HOLES
SCALE (1:4)



USE 4-M5 SCREW HOLES(CONTAINS WV-Q120A OR ADAPTER BOX)
SCALE (1:4)

WV-Q183(WV-Q183ZYS)
WV-Q189(WV-Q189ZYS)
APPEARANCE M-Mb